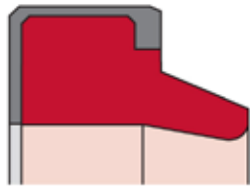


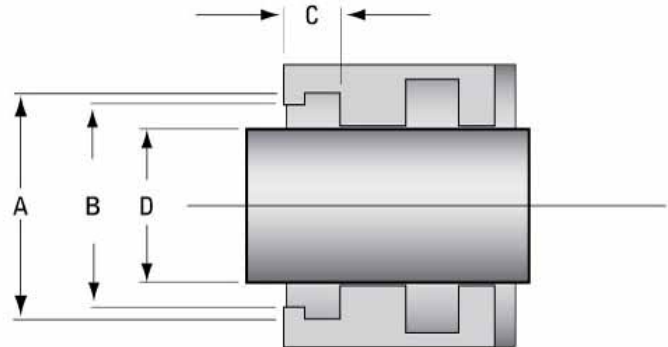


## CNC Machined Wiper Seal: DA106

Submit completed form by email to [info@nuraseal.com](mailto:info@nuraseal.com) or by fax to 905.795-8381



Seal Profile: DA106



### Dimensions

A: \_\_\_\_\_

B: \_\_\_\_\_

C: \_\_\_\_\_

D: \_\_\_\_\_

Date Required: \_\_\_\_\_

Addition Comments: \_\_\_\_\_

Units:  inch

mm

Material: \_\_\_\_\_

Quantity: \_\_\_\_\_

### Contact Information

Name: \_\_\_\_\_

Company: \_\_\_\_\_

Address: \_\_\_\_\_

email: \_\_\_\_\_ phone: \_\_\_\_\_